



SenselT Energy MAID

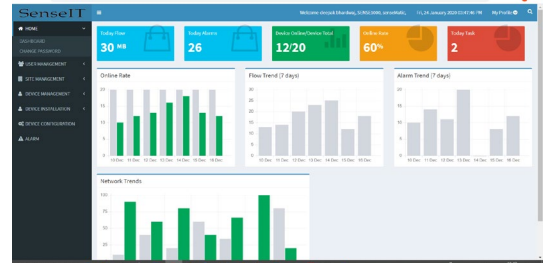
Frugal and Reliable Energy Distribution Automation;
Assured acquisition of FRTU data & delivery to DMS through multiple channels

Overall Solution Architecture for SCADA Distribution Automation

DEVICE

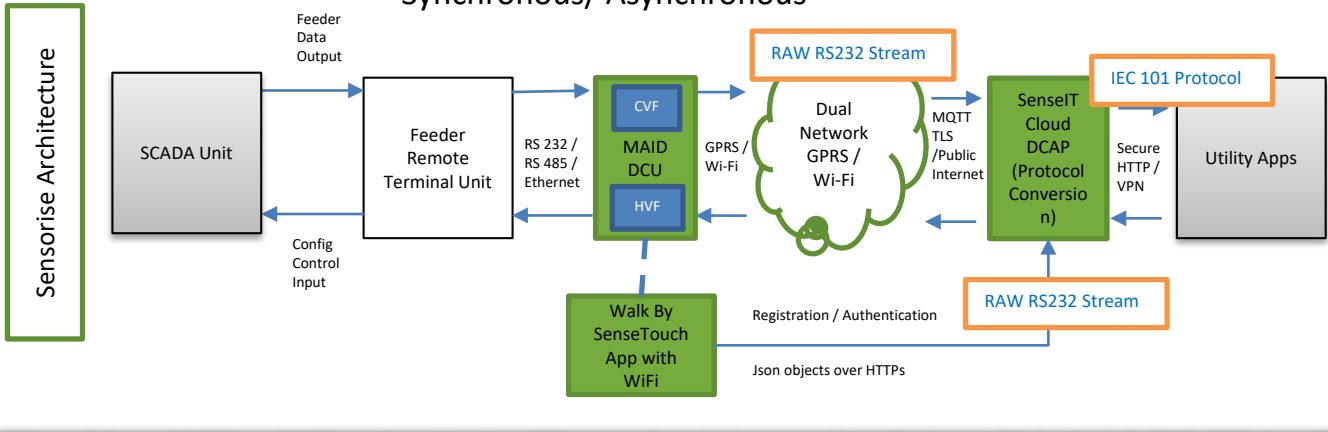


PORTAL



SOLUTION

Synchronous/ Asynchronous



Advantages of the Solution

- Supports Multiple Network Connectivity
 - GSM
 - 4G
 - BLE
 - Wi-Fi
 - NB-IoT
- Increased
 - Data Accessibility,
 - Cost Efficiency,
 - Flexibility,
 - Optimization,
 - Availability, and
 - Scalability

Committed Network Uptime

- Sensorise offers Dual SIM based, High QoS, Secure and Remote Manageable Connectivity for the SCADA Substations and Distribution Automation to centralized SCADA Centre
- Telco Independent Connectivity and Connectivity Management
- Best possible availability with a choice of networks, always better than any single network solution
- Secure Device Management
- End to End Security compliant to honourable TRAI recommendations



SenseIT Energy MAID

Frugal and Reliable Energy Distribution Automation;
Assured acquisition of FRTU data & delivery to DMS through multiple channels

KEY FEATURES

Hardware

- Multi-access Internet Device which can connect with Wi-Fi, BLE and Multi-profile GSM/4G/NB-IoT
- Multi-Protocol Support - RS232/RS485, Digital and Analog Inputs
- Provision for both embedded and Pluggable SIMs
- Modular Design separating Controller and connectivity components
- Choice of pluggable connectivity modules, at production and after-market
- LED display for Device health, Power, and Connectivity
- 256MB onboard storage and SD card interface for storage expansion
- IP65 Customizable Enclosure
- Sensors for Device protection - Unauthorized removal and opening
- Battery Backup and FRTU Power Outage Sensing

Exclusive Availability – Walk-By App

- Android Application for use in any Smartphone
- Bluetooth based retrieval of Substation Values even in absence of any network coverage
- Wireless configuration of SenseIT MAID Master Station
- Automatic Authenticated Connection from Walk-By App to MAID Master Station over Bluetooth

Firmware (Synchronous and Asynchronous)

- Assured Collection of Substation Values at MAID Master Station
- Assured delivery of substation Values to the cloud based SenseIT Platform (DMS)
- Assured Communication of Substation Values supporting both Synchronous and Asynchronous Mode
- Auto-registration to cloud based SenseIT Platform (Device Manager)
- Automatic Device Health Report (Configurable frequency)
- Secure Remote Configuration Management (SenseIT DM, Walk-By App) over SMS/Data/BT
- Multi-Protocol Support (serial, IEC 60870-5-101)
- Secure Firmware Over The Air update from cloud Based SenseIT Platform (Device Manager)
- Configurable MAID alerts (Utility Power, Low Battery, Device Removal, Device Open)
- Automated Utility power sensing and Reporting of Power Outage to SenseIT Platform (DMS)
- Support for GSM/4G/BLE/Wi-Fi/NB-IoT Network Connectivity
- Proprietary interface to Walk-By application for Sensor Information Management

SenseIT Energy Platform & Device Manager

- Cloud based scalable Database of Substation Values with Queue Management and DMS integration
- Executive Dashboard of MAID Data Traffic Parameters (Volume of data, Live sites, Outage and Alerts)
- Drill down views & reports
- IEC 60870-5-101/104 Protocol support (Synchronous and Asynchronous)
- Configuration and Inventory of Sites, MAID Devices, Custodians and SMS Alert
- Scheduling of Site Visits for Installation and Maintenance of MAID Devices